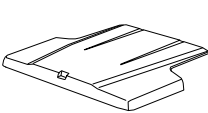
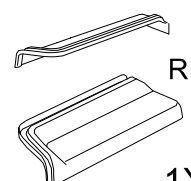
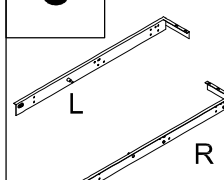
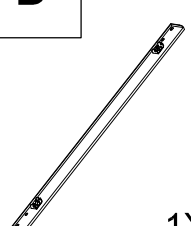
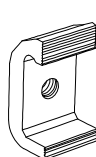
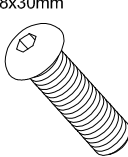
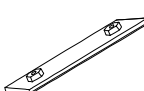
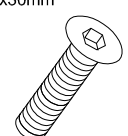
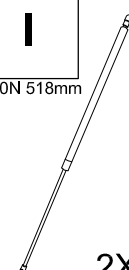
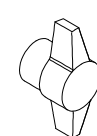
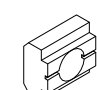

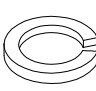

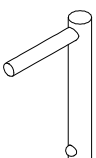

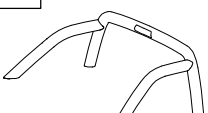

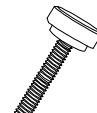
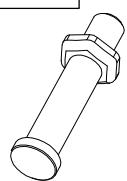


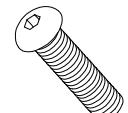
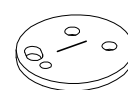


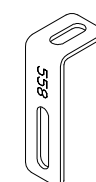
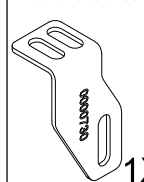
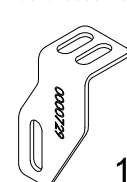

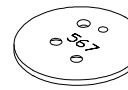

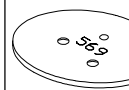

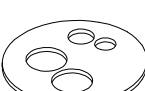
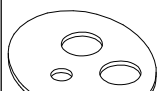




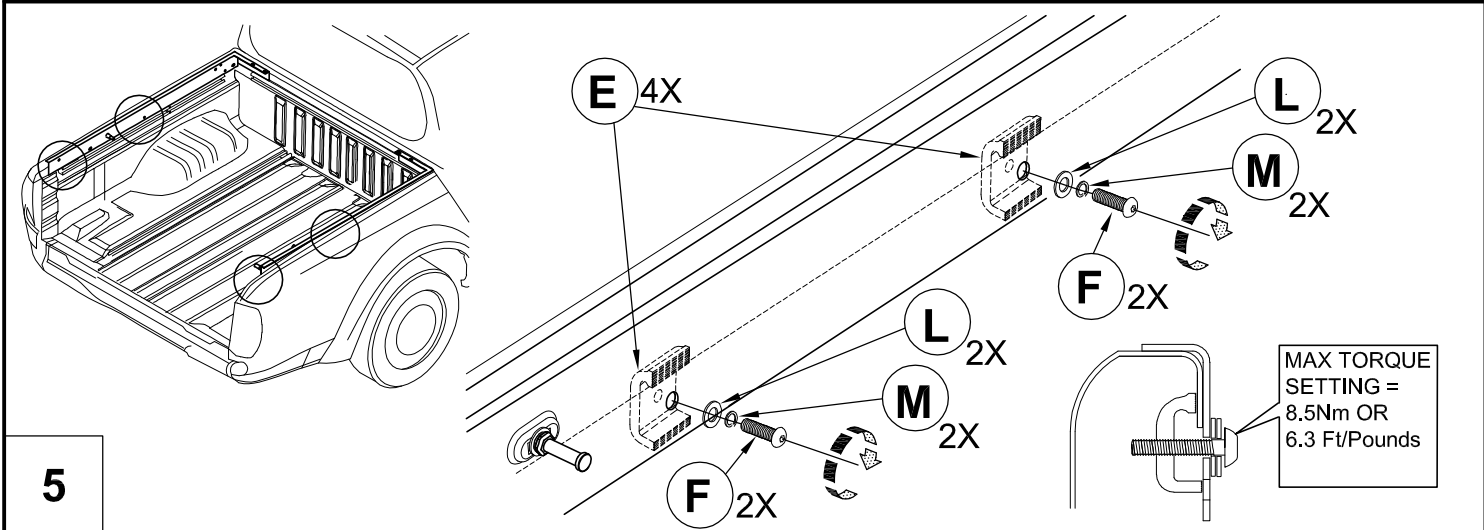
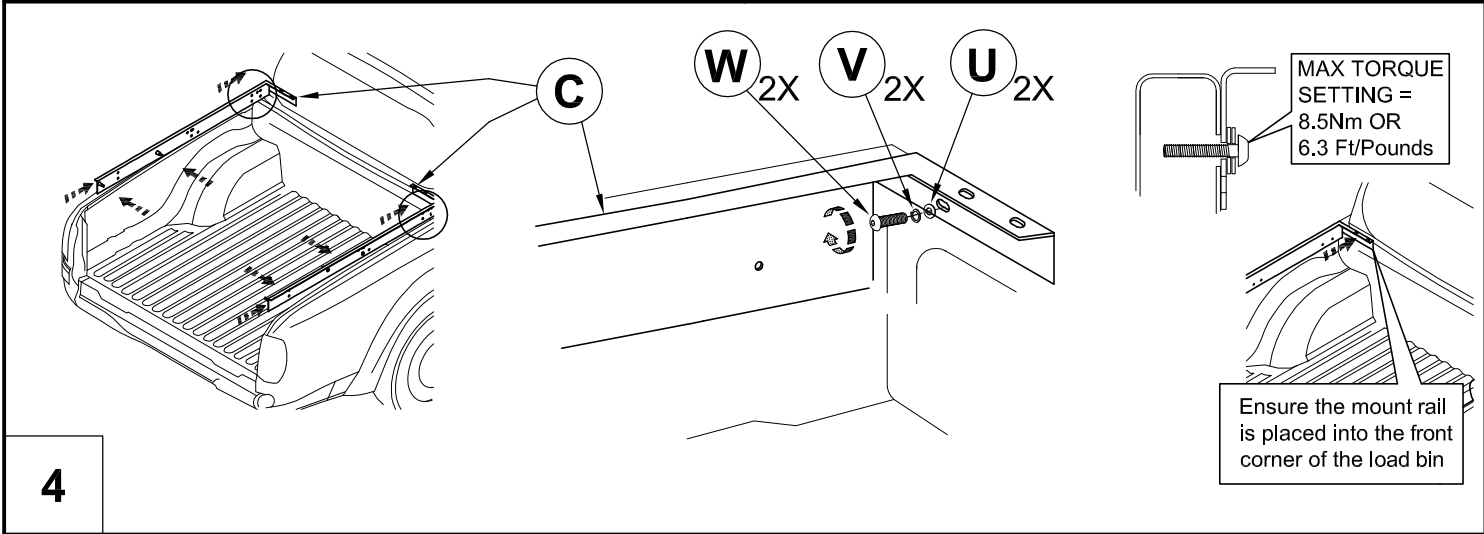
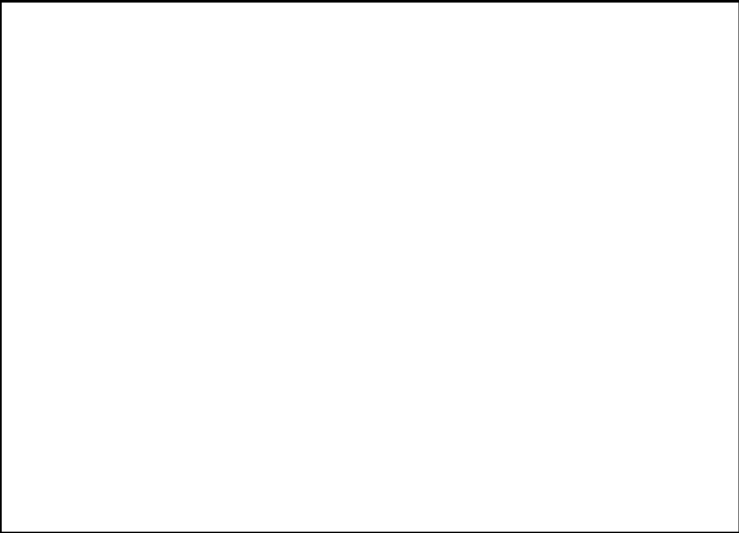
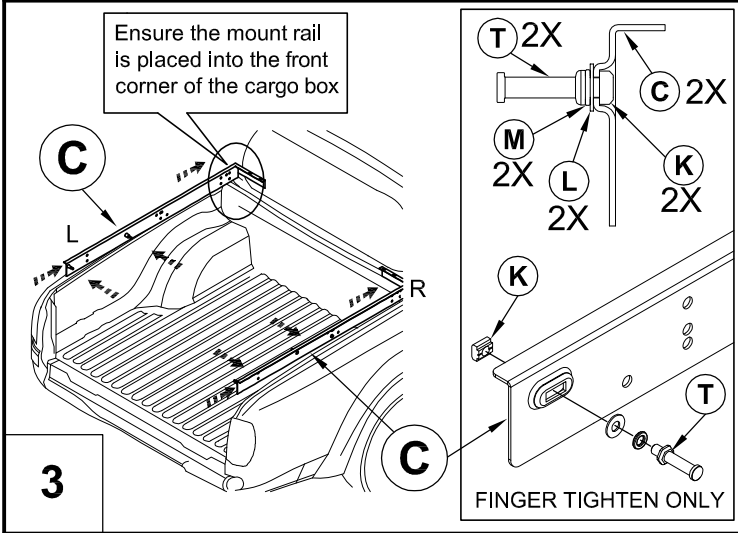
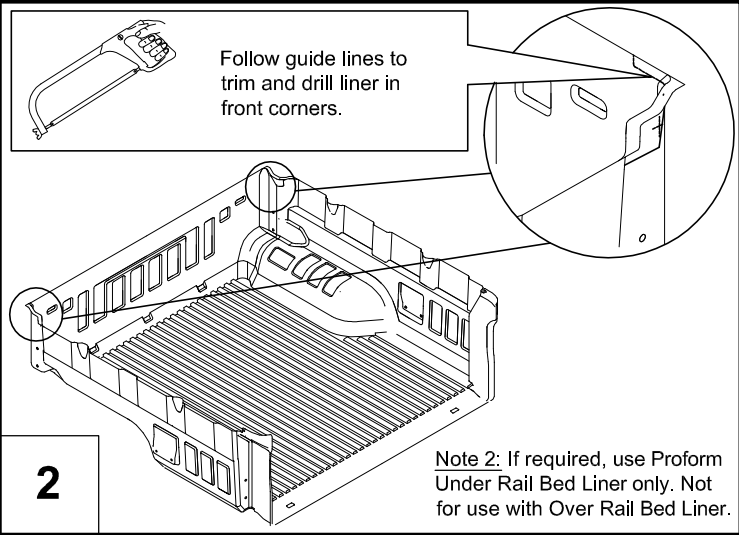
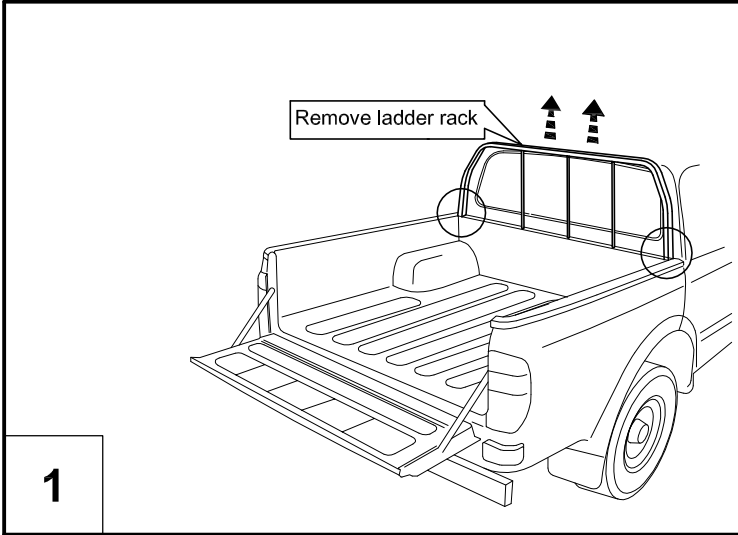


# INSTALLATION INSTRUCTIONS (K131)

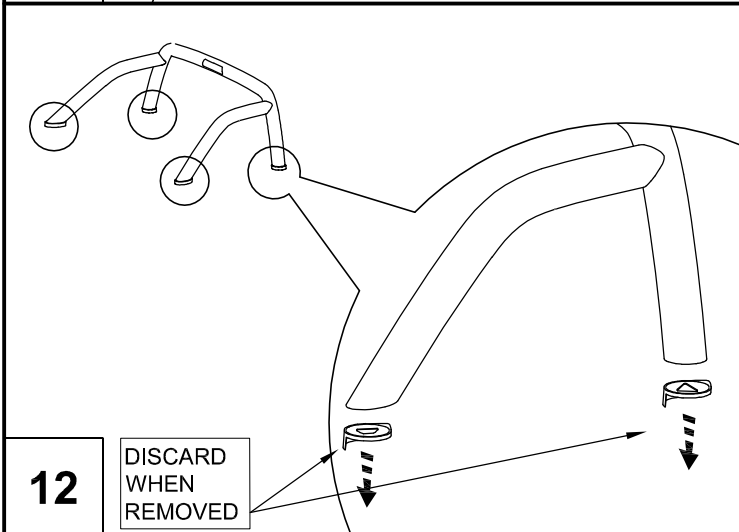
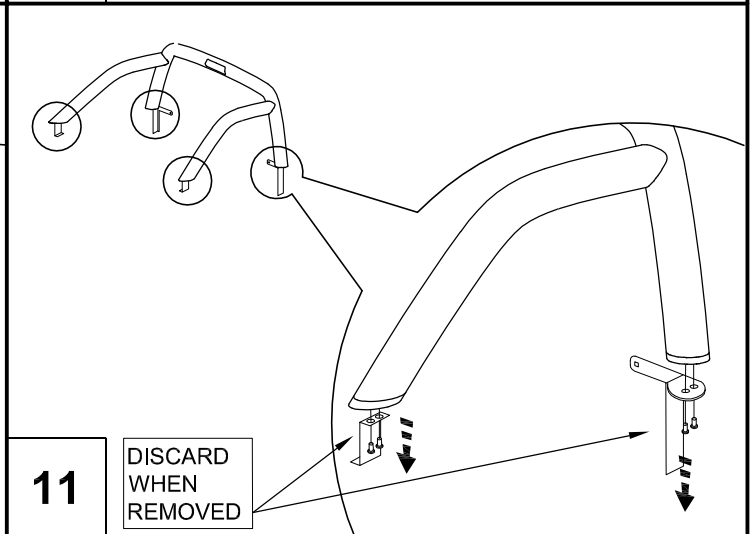
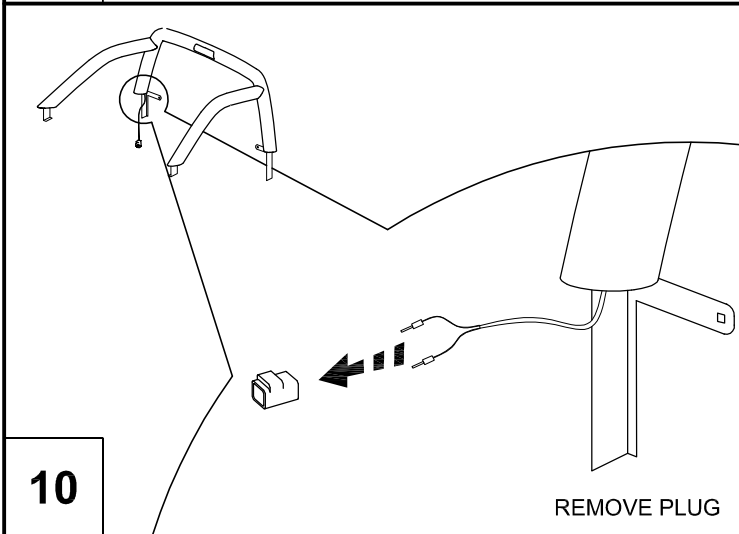
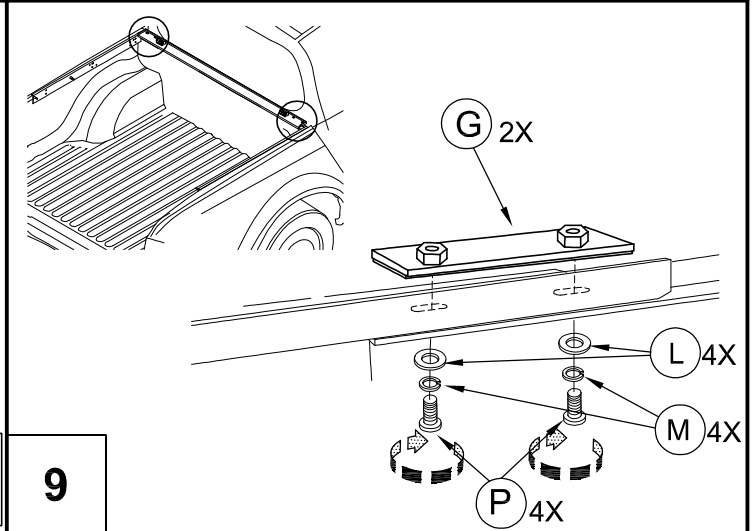
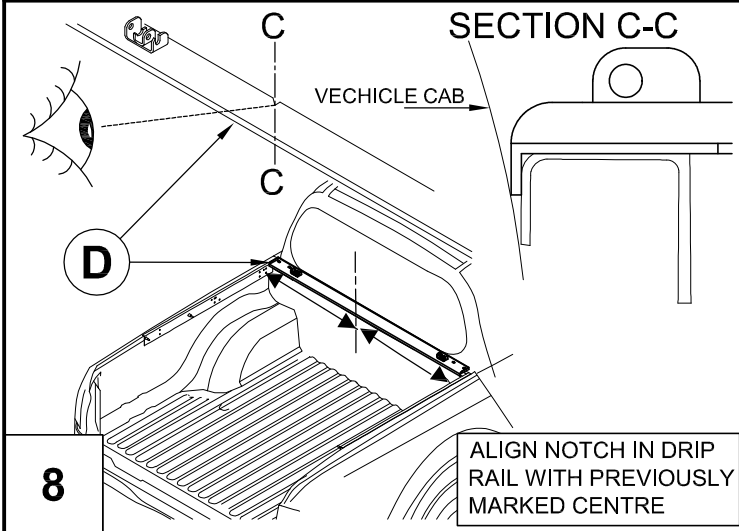
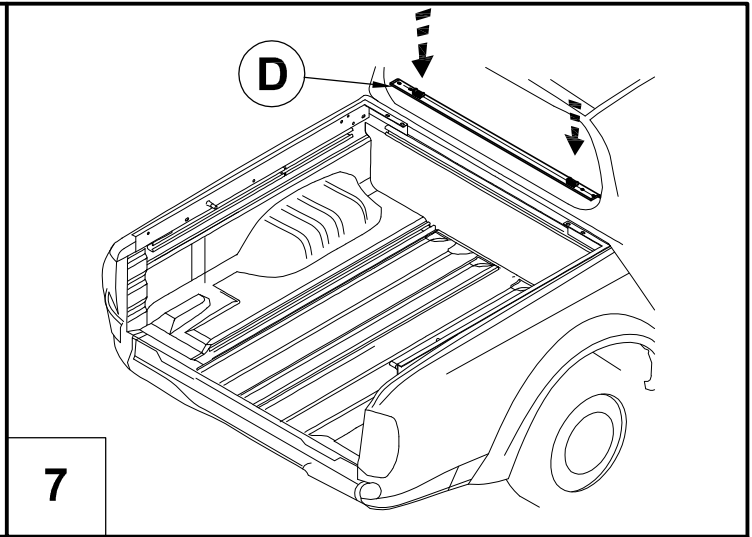
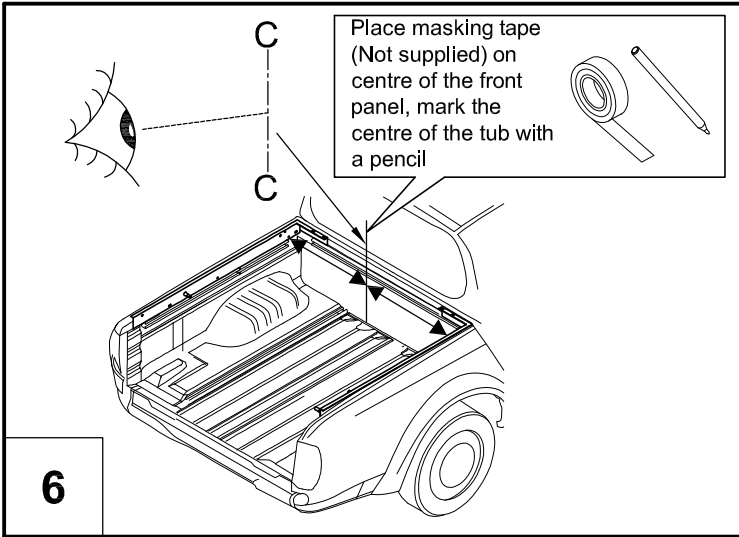
Sportlid II with Genuine Sportbar

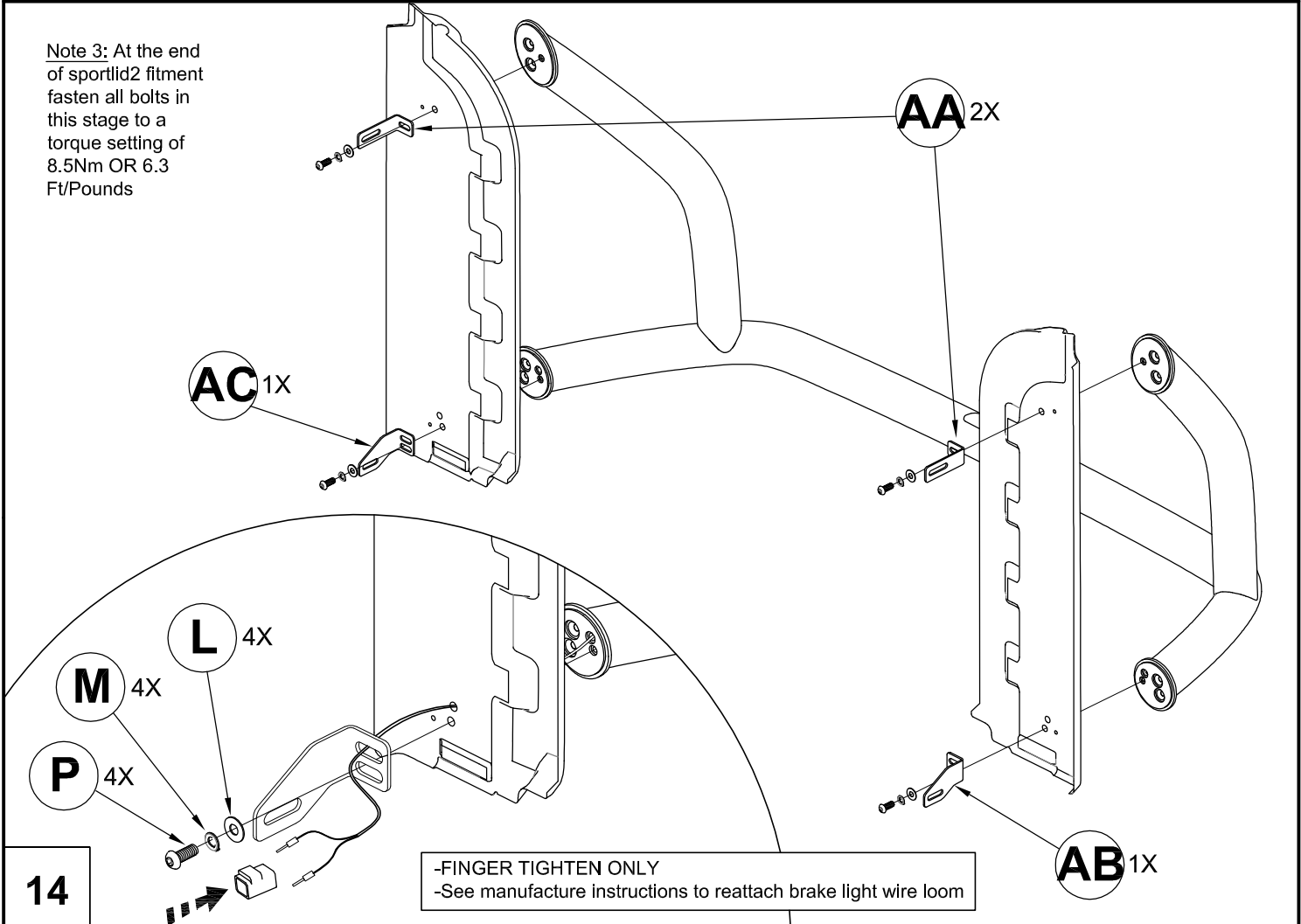
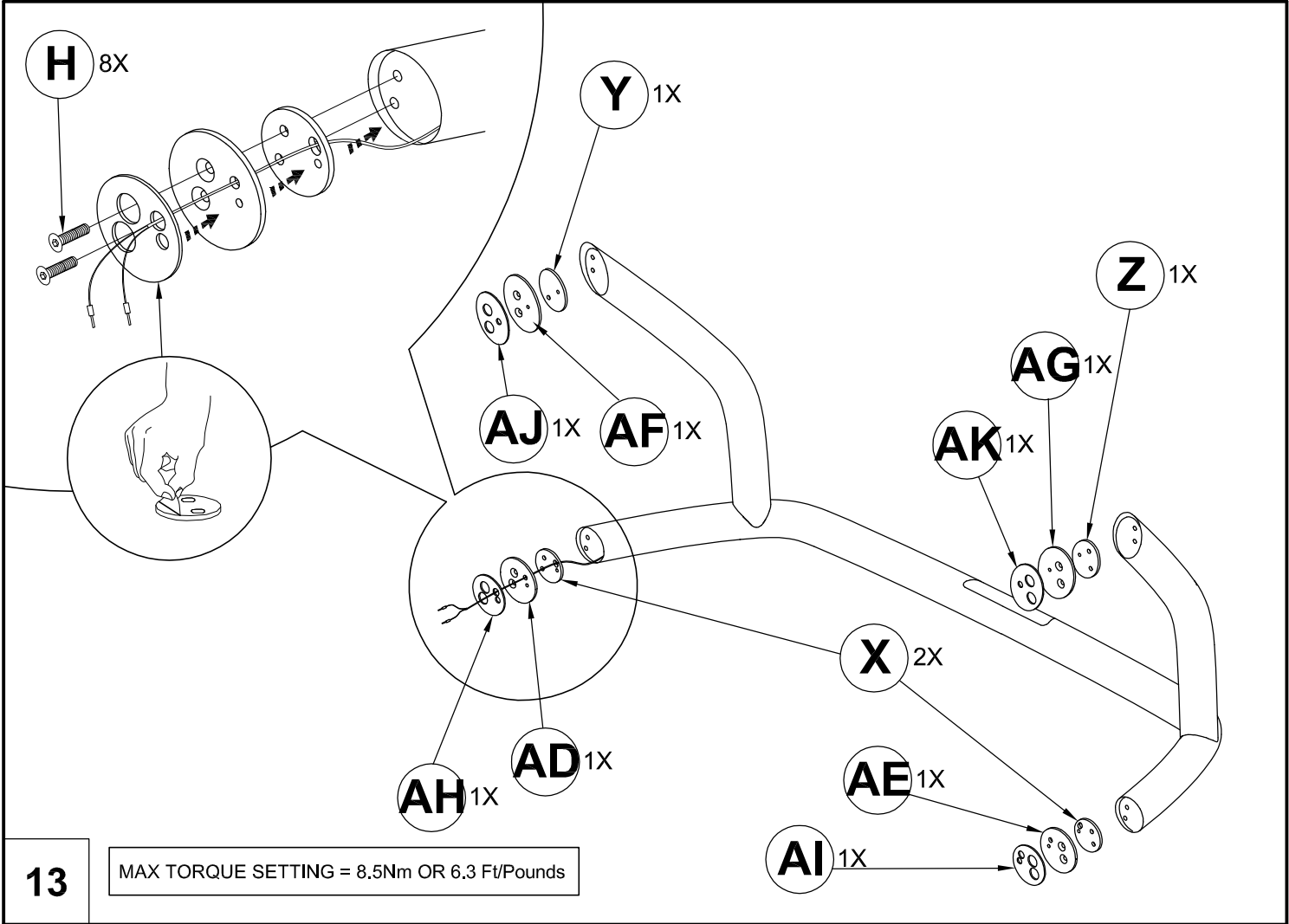
Ford-T6 Ranger-2011-Double Cab

<b>A</b>  1X	<b>B</b> L R  1X	<b>C</b> L R  1X	<b>D</b>  1X	<b>E</b>  4X	<b>F</b> M8x30mm  6X	<b>G</b>  2X		
<b>H</b> M8x30mm  8X	<b>I</b> 120N 518mm  2X	<b>J</b>  2X	<b>K</b>  2X	<b>L</b> M8x19mm  20X	<b>M</b> M8 Stainless Steel Spring Washer  16X	<b>N</b> T-SEAL 1175mm  1X	<b>O</b>  2X	<b>P</b> M8x20mm  10X
<b>Q</b>  Part# FOAMAB3J2155174BA 1X	<b>R</b> M4 Spring Washer  2X	<b>S</b> Stainless steel thumb screw  2X	<b>T</b>  2X	<b>U</b> M6x16mm  2X	<b>V</b> M6 Spring Washer  2X	<b>W</b> M6x30mm  2X	<b>X</b> 6mm foam pad  2X	
<b>Y</b> 6mm foam pad  1X	<b>Z</b> 6mm foam pad  1X	<b>AA</b> Bracket 0000558  2X	<b>AB</b> Bracket 0000730  1X	<b>AC</b> Bracket 0000729  1X	<b>AD</b> Stainless steel foot 568  1X	<b>AE</b> Stainless steel foot 567  1X	<b>AF</b> Stainless steel foot 570  1X	<b>AG</b> Stainless steel foot 569  1X
<b>AH</b> 3mm foam with adhesive  1X	<b>AI</b> 3mm foam with adhesive  1X	<b>AJ</b> 3mm foam with adhesive  1X	<b>AK</b> 3mm foam with adhesive  1X	<b>AL</b> M8 Nylock Nut  2X	<p><b>Note 1:</b> If at any stage of installation you find your sportlid to be an unacceptable fit please contact the manufacturer before continuing.  <b>Tools required:</b> 4mm &amp; 5mm Allen keys, 14mm Wrench, Drill</p> <p><b>INSTALLATION TIME APPROX: 30 Minutes</b>  <b>Retain instructions after use</b></p>			

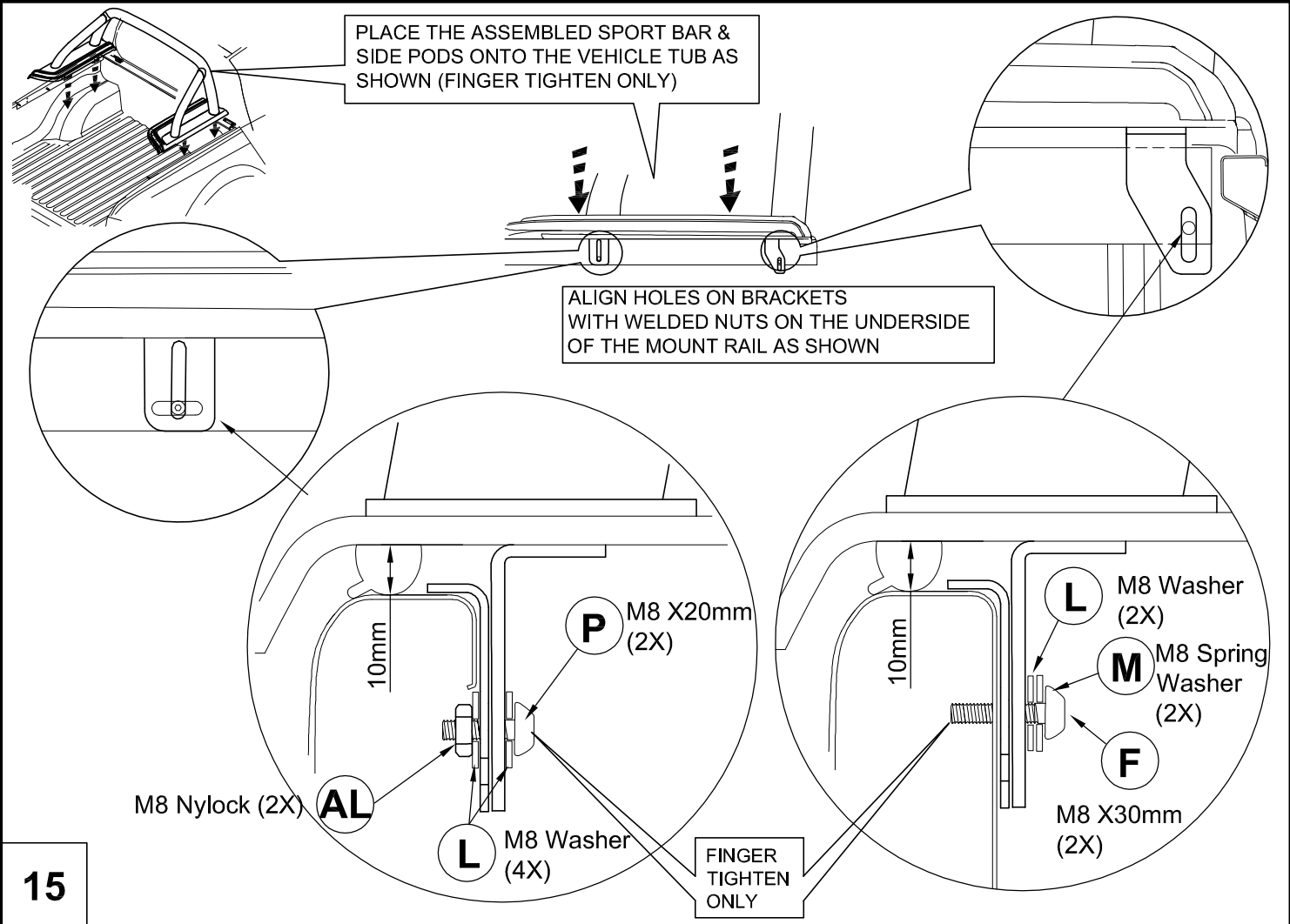


Fitting Kit Number	Manufacturer	Model Type	Year	Stockist	Cab Size	Product	Revision	Date	Page
IDFK131	Ford	T6 Ranger	2011	General Use	DC	Sport/Id II	2	03-04-13	2 of 6





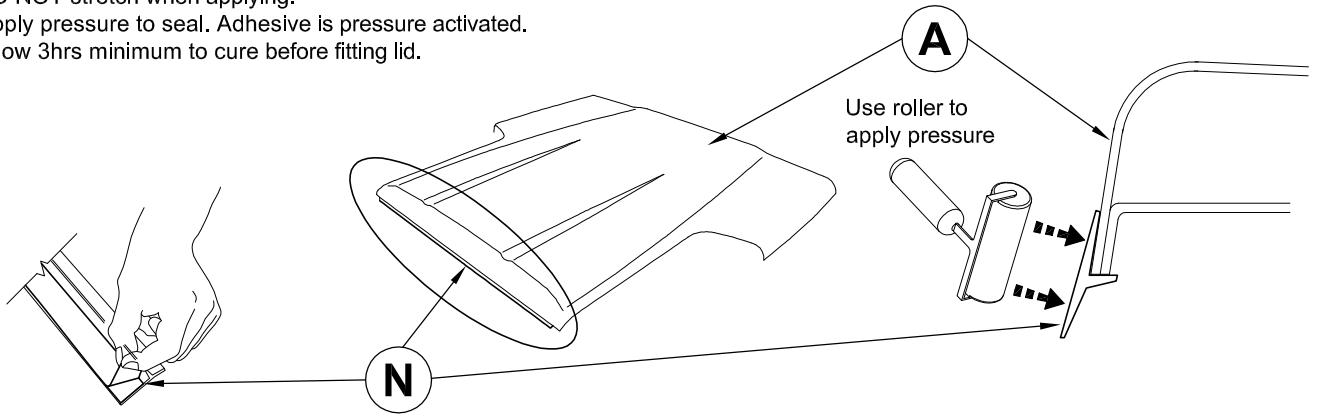
Fitting Kit Number	Manufacturer	Model Type	Year	Stockist	Cab Size	Product	Revision	Date	Page
IDFK131	Ford	T6 Ranger	2011	General Use	DC	Sportlid II	2	03-04-13	4 of 6



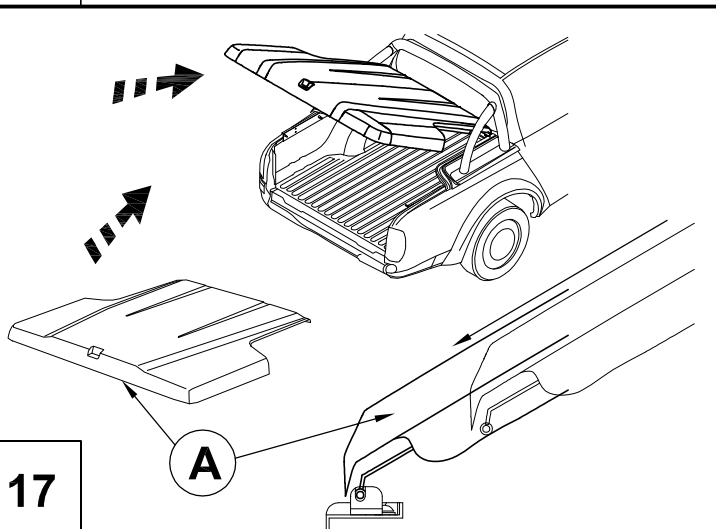
15



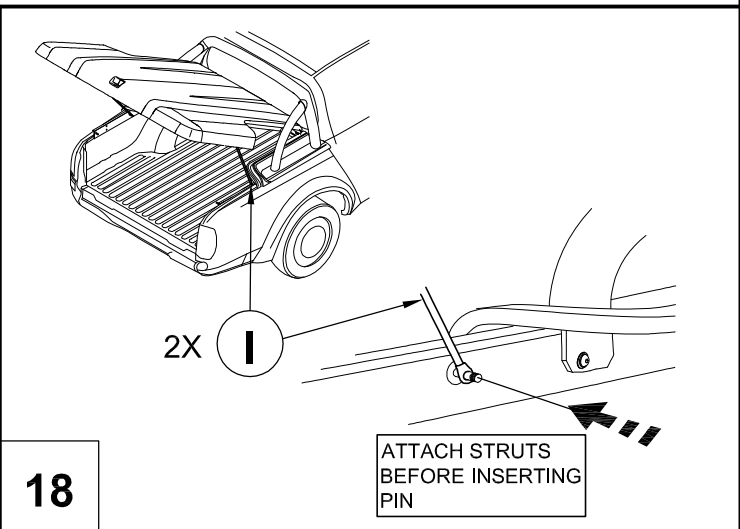
RAIN SEAL MUST BE APPLIED AFTER PAINT PROCESS IS COMPLETE  
 DO NOT apply below 15°C.  
 DO NOT stretch when applying.  
 Apply pressure to seal. Adhesive is pressure activated.  
 Allow 3hrs minimum to cure before fitting lid.



16

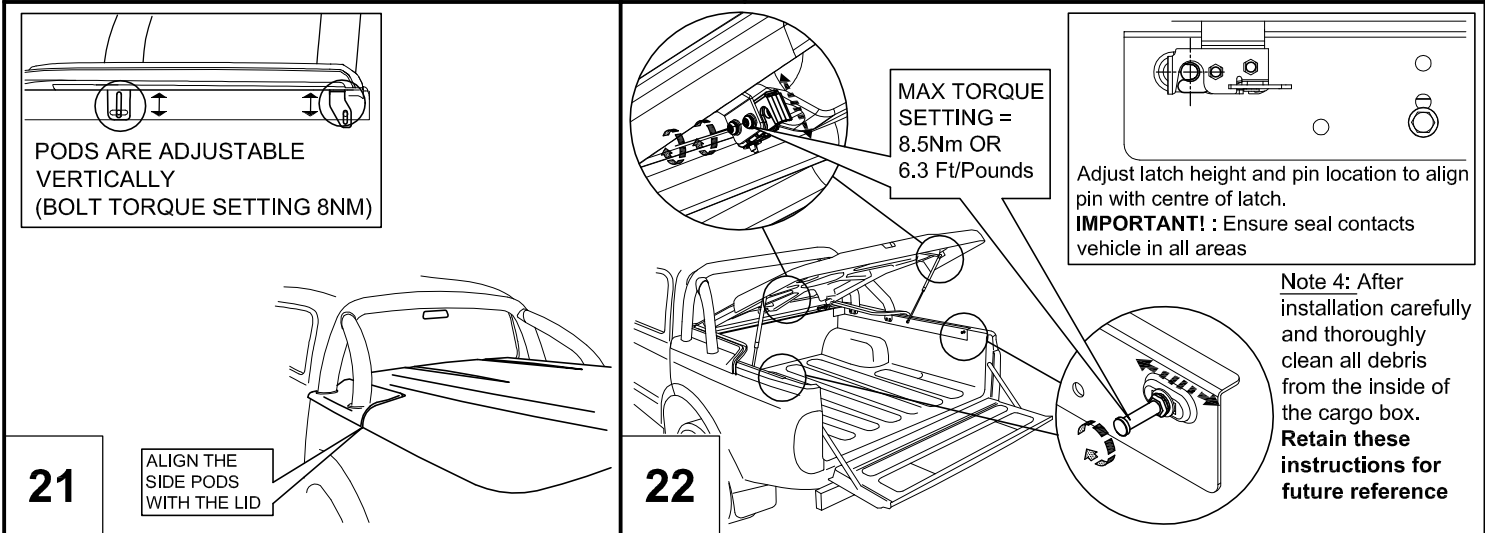
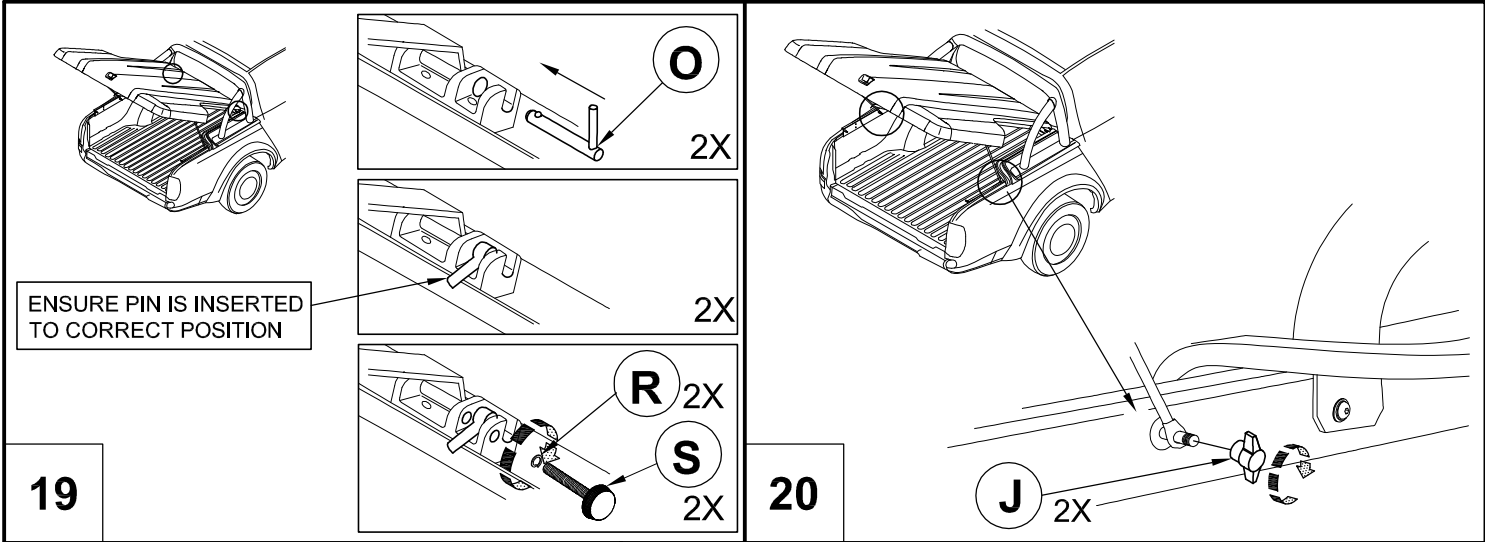


17



18

Fitting Kit Number	Manufacturer	Model Type	Year	Stockist	Cab Size	Product	Revision	Date	Page
IDFK131	Ford	T6 Ranger	2011	General Use	DC	Sportlid II	2	03-04-13	5 of 6



Ensure all bolts are fastened to their stated torque setting once adjustment is complete

Fitting Kit Number	Manufacturer	Model Type	Year	Stockist	Cab Size	Product	Revision	Date	Page
IDFK131	Ford	T6 Ranger	2011	General Use	DC	Sportlid II	2	03-04-13	6 of 6